

4

3

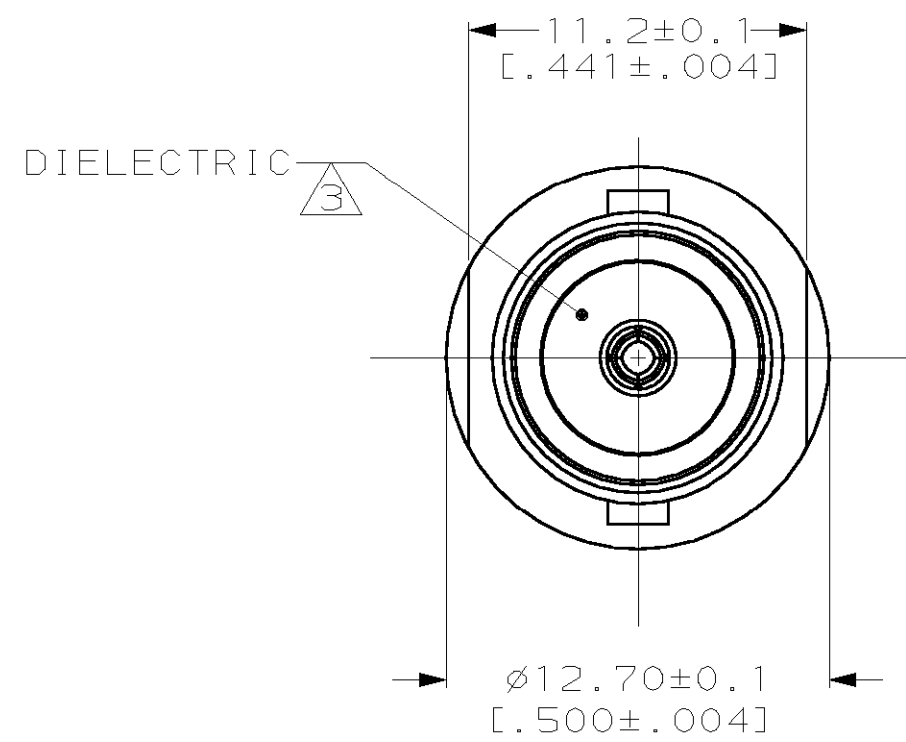
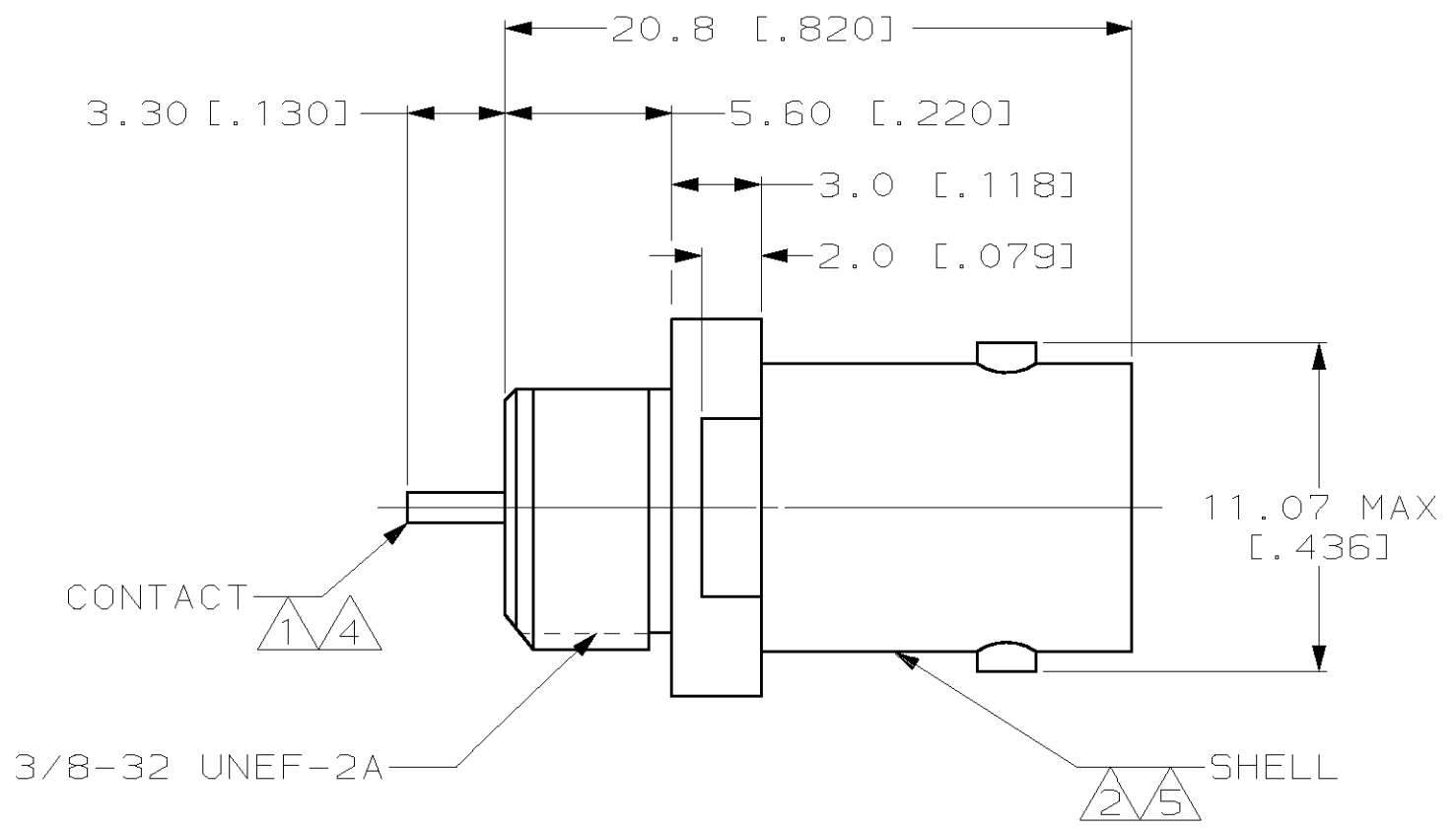
2

1

THIS DRAWING IS UNPUBLISHED. RELEASED FOR PUBLICATION, 19 .

© COPYRIGHT 19 BY AMP INCORPORATED. ALL RIGHTS RESERVED.

LOC	DIST	REVISIONS			
P	LTR	DESCRIPTION	DATE	DWN	APVD
AJ	16	C	REV PER 0U20-0131-00	28MAR00	MO JL



- ① BERYLLIUM COPPER PER ASTM-B-196.
- ② ZINC PER QQ-Z-363.
- ③ PTFE PER MIL-P-19468.
- ④ GOLD PLATE PER MIL-G-45204, 0.76 µm [.000030] MINIMUM THICK.
- ⑤ NICKEL PLATE PER QQ-N-290 3.81 µm [.000150] MINIMUM THICK.

1274086-1
PART NO

THIS DRAWING IS A CONTROLLED DOCUMENT.		DWN M. O'BRINE 29SEP98	AMP AMP Incorporated Harrisburg, PA 17105-3608
DIMENSIONS: mm [IN]		CHK K. WEIDNER 29SEP98	
TOLERANCES UNLESS OTHERWISE SPECIFIED:		APVD K. WEIDNER 29SEP98	NAME JACK, BULKHEAD, PCB, 75ohm SERIES BNC
0 PLC ±-		PRODUCT SPEC	SIZE
1 PLC ±-		APPLICATION SPEC	CAGE CODE
2 PLC ±-		WEIGHT	DRAWING NO
3 PLC ±0.20 [.008]		CUSTOMER DRAWING	RESTRICTED TO
4 PLC ±-		SCALE 4:1	SHEET 1 OF 1
ANGLES ±-		REV C	
MATERIAL ①②③		FINISH ④⑤	